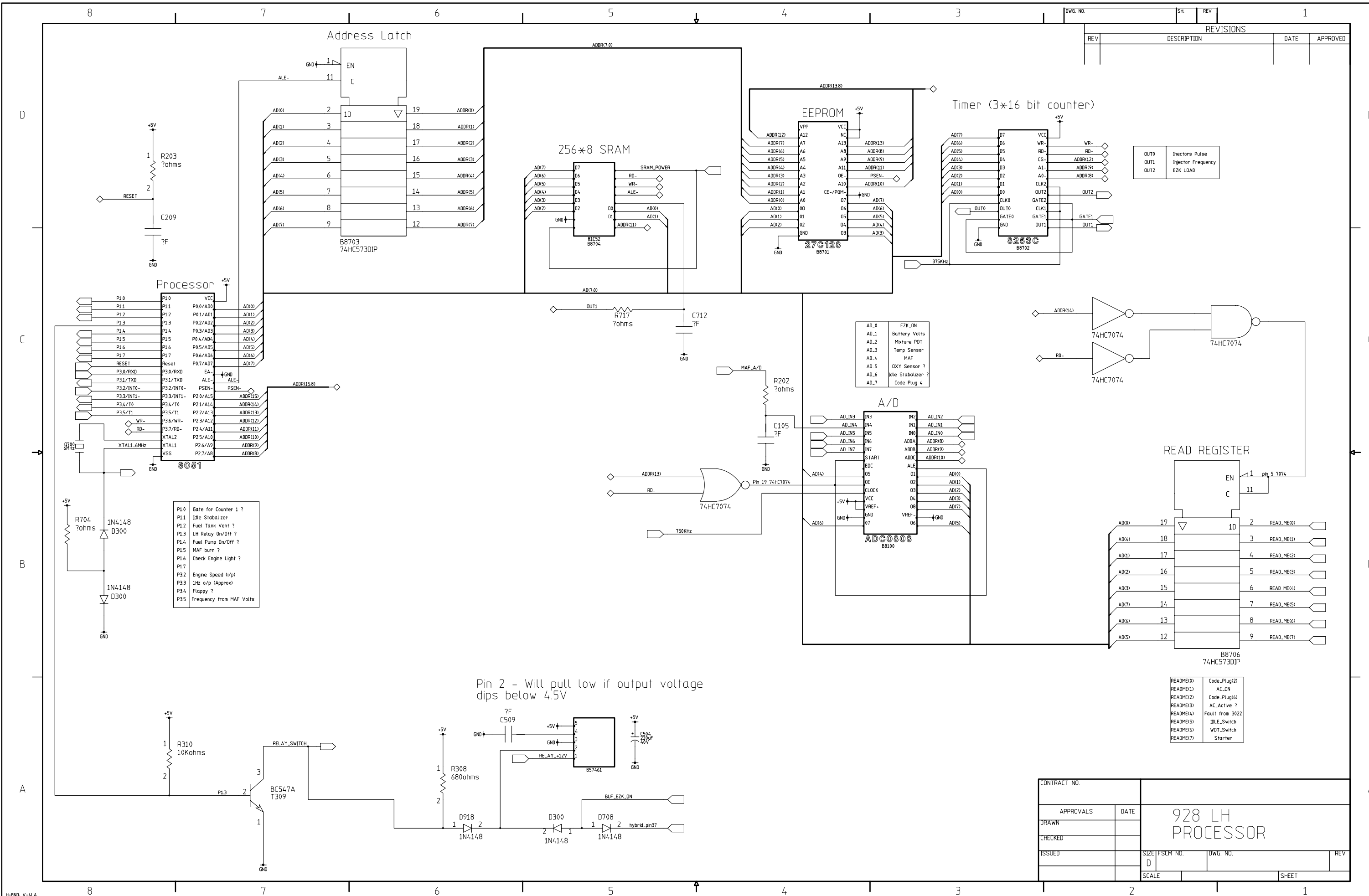


| REVISIONS | | | |
|-----------|-------------|------|----------|
| REV | DESCRIPTION | DATE | APPROVED |
| | | | |



| | |
|-----|--------------------------|
| P10 | Gate for Counter 1 ? |
| P11 | Idle Stabilizer |
| P12 | Fuel Tank Vent ? |
| P13 | LH Relay On/Off ? |
| P14 | Fuel Pump On/Off ? |
| P15 | MAF burn ? |
| P16 | Check Engine Light ? |
| P17 | |
| P32 | Engine Speed (l/p) |
| P33 | Hz o/p (Approx) |
| P34 | Flappy ? |
| P35 | Frequency from MAF Volts |

| | |
|------|-------------------|
| AD_0 | Battery Volts |
| AD_1 | EZK_ON |
| AD_2 | Mixture PDT |
| AD_3 | Temp Sensor |
| AD_4 | MAF |
| AD_5 | OXY Sensor ? |
| AD_6 | Idle Stabilizer ? |
| AD_7 | Code Plug 4 |

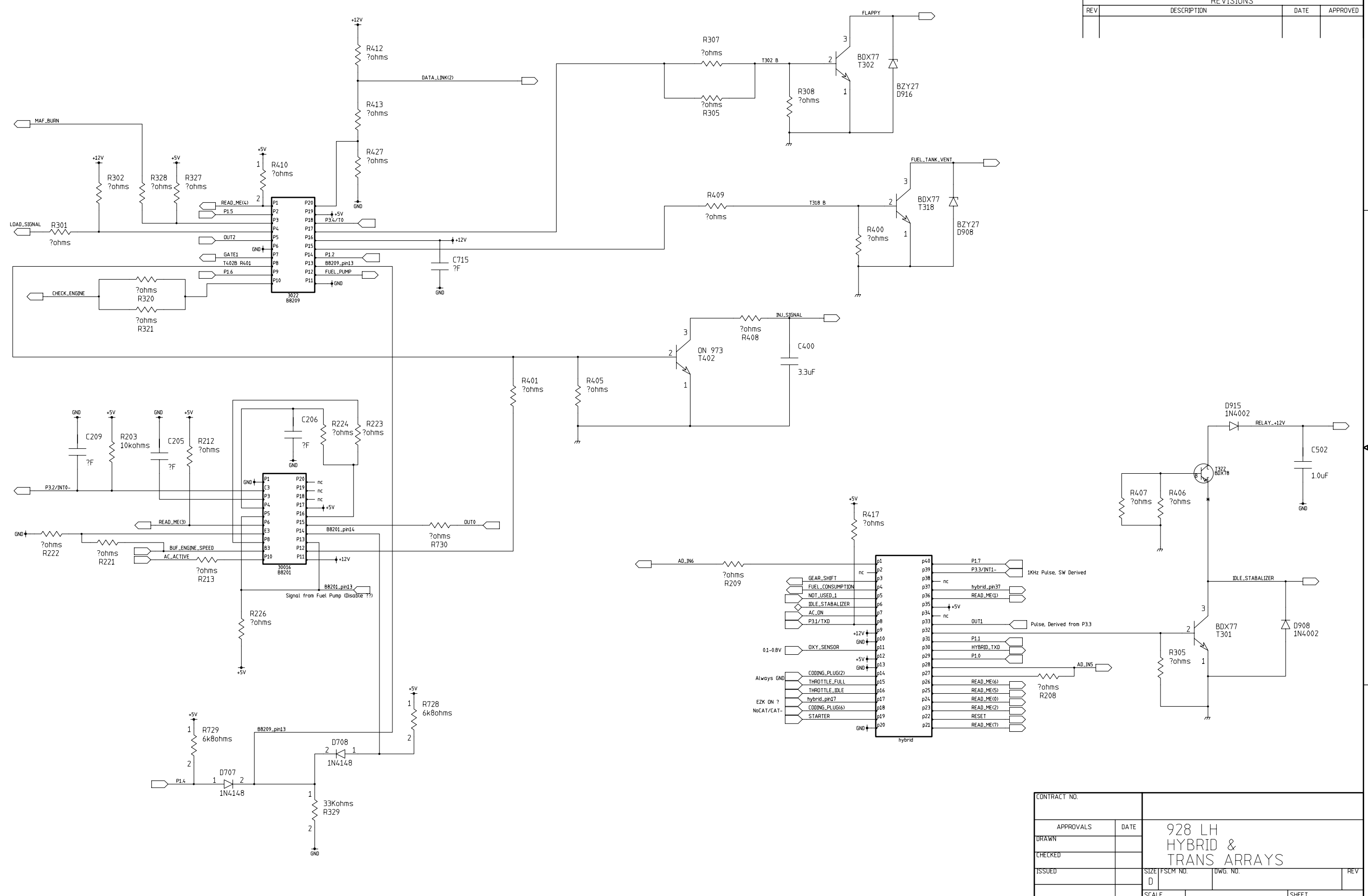
| | |
|-----------|-----------------|
| README(0) | Code_Plug(2) |
| README(1) | AC_ON |
| README(2) | Code_Plug(6) |
| README(3) | AC_Active ? |
| README(4) | Fault from 3022 |
| README(5) | IDLE_Switch |
| README(6) | WDT_Switch |
| README(7) | Starter |

Pin 2 - Will pull low if output voltage dips below 4.5V

| | | | | | |
|--------------|----------|-----------|-------|------|--|
| CONTRACT NO. | | APPROVALS | | DATE | |
| DRAWN | | | | | |
| CHECKED | | | | | |
| ISSUED | | | | | |
| SIZE | FSCM NO. | DWG. NO. | REV | | |
| D | | | | | |
| SCALE | | | SHEET | | |

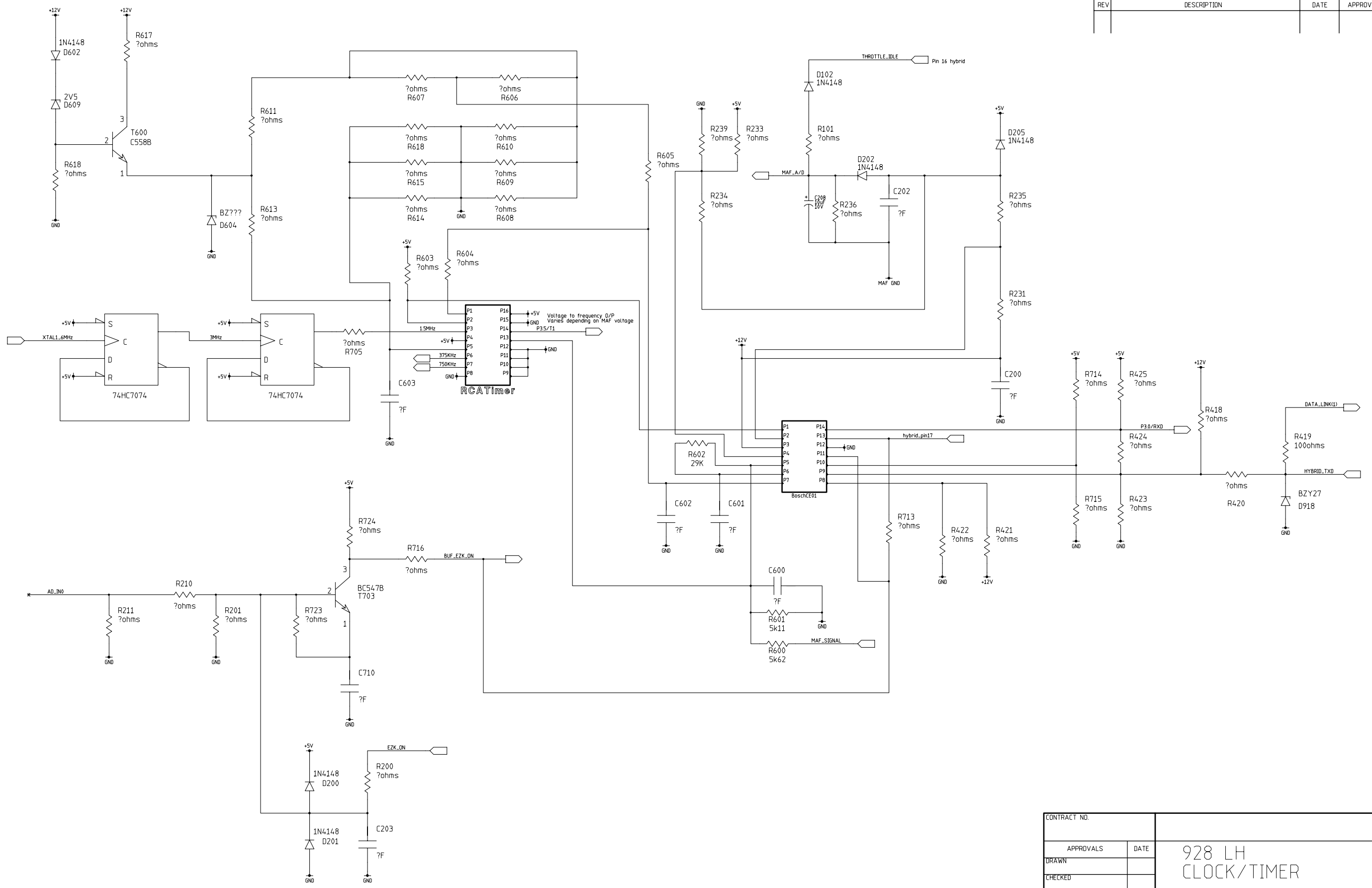
928 LH PROCESSOR

| REVISIONS | | | |
|-----------|-------------|------|----------|
| REV | DESCRIPTION | DATE | APPROVED |
| | | | |



| | | | |
|--------------|------|------------------------------|----------|
| CONTRACT NO. | | 928 LH HYBRID & TRANS ARRAYS | |
| APPROVALS | DATE | SIZE | FSCM NO. |
| DRAWN | | D | |
| CHECKED | | DWG. NO. | |
| ISSUED | | | |
| | | SCALE | SHEET |

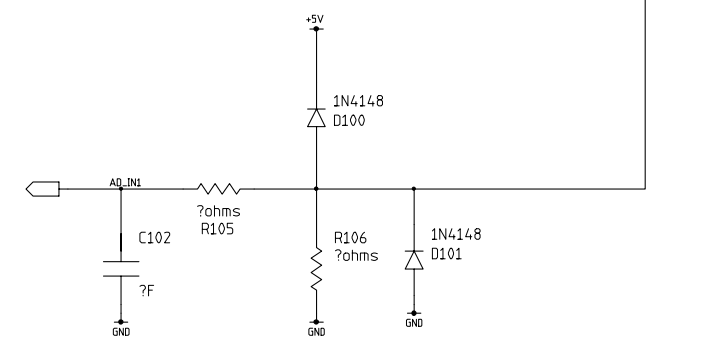
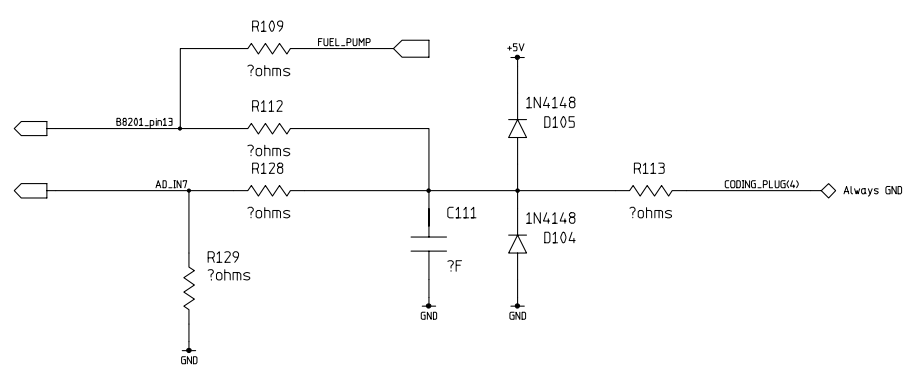
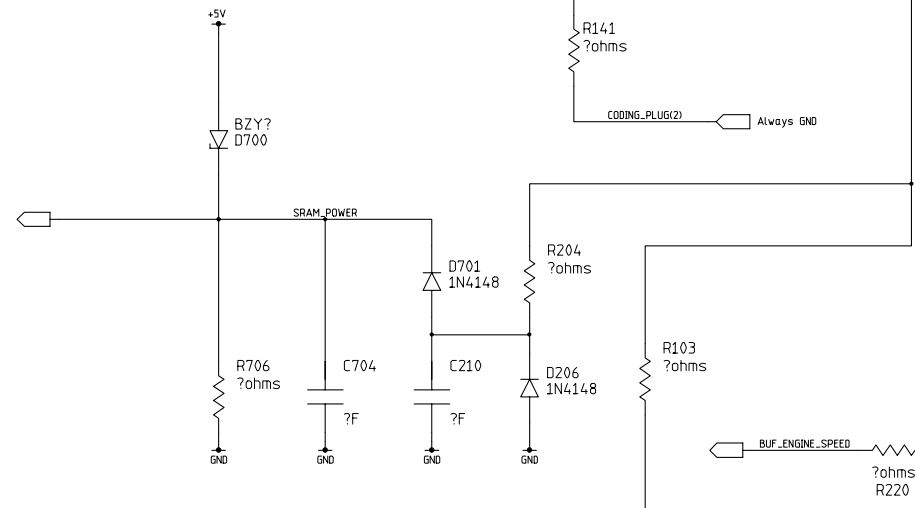
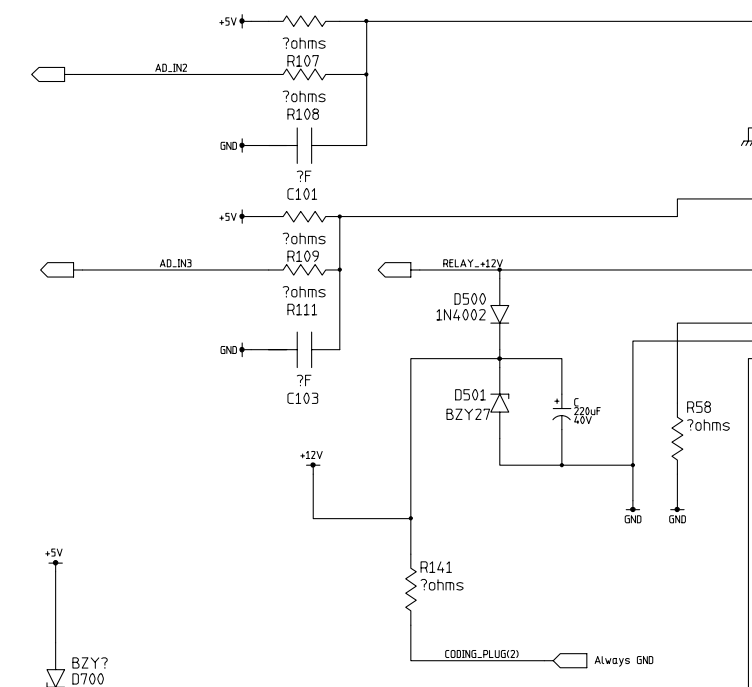
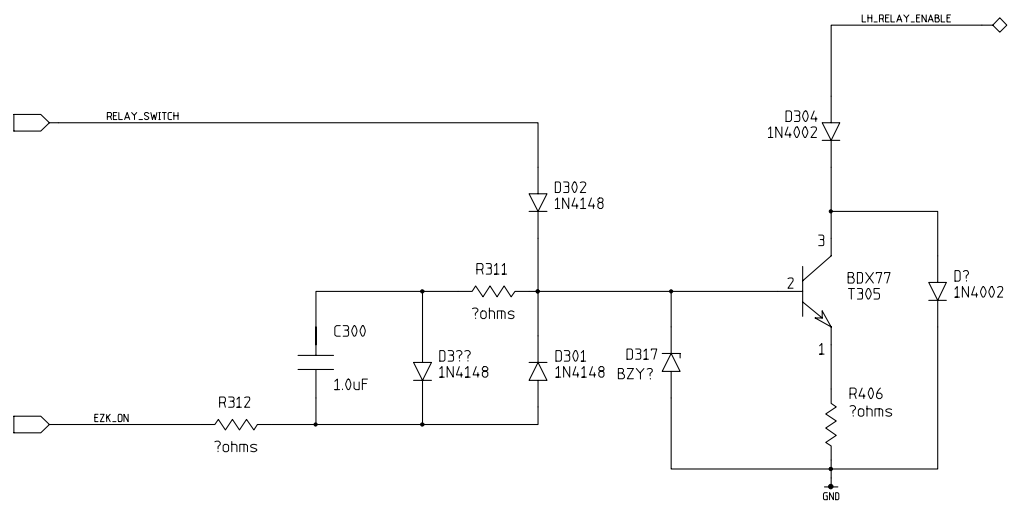
| REVISIONS | | | |
|-----------|-------------|------|----------|
| REV | DESCRIPTION | DATE | APPROVED |
| | | | |



| | | | |
|--------------|------|-----------------------|----------|
| CONTRACT NO. | | 928 LH CLOCK/TIMER | |
| APPROVALS | DATE | SIZE | FSCM NO. |
| DRAWN | | D | DWG. NO. |
| CHECKED | | | REV |
| ISSUED | | SCALE | SHEET |

| REVISIONS | | | |
|-----------|-------------|------|----------|
| REV | DESCRIPTION | DATE | APPROVED |
| | | | |

| | |
|------------------|-----|
| EZK_ON | p35 |
| FLAPPY | p34 |
| IDLE_STABILIZER | p33 |
| | p32 |
| FUEL_CONSUMPTION | p31 |
| STARTER | p30 |
| CODING_PLUG(4) | p29 |
| CODING_PLUG(4) | p28 |
| FUEL_TANK_VENT | p27 |
| GEAR_SHIFT | p26 |
| LOAD_SIGNAL | p25 |
| OXY_SENSOR | p24 |
| MDT_POT_CENTRE | p23 |
| CHECK_ENGINE | p22 |
| LH_RELAY_ENABLE | p21 |
| FUEL_PUMP | p20 |
| CODING_PLUG(2) | p19 |
| INJ_SIGNAL | p18 |
| | p17 |
| DATA_LINK(2) | p16 |
| AC_ON | p15 |
| AC_ACTIVE | p14 |
| TEMP_SENSOR | p13 |
| DATA_LINK(1) | p12 |
| AC_RELAY | p11 |
| NOT_USED_1 | p10 |
| | p9 |
| MAF_BURN | p8 |
| MAF_SIGNAL | p7 |
| MAF_GND | p6 |
| | p5 |
| BATTERY_+12V | p4 |
| THROTTLE_FULL | p3 |
| THROTTLE_IDLE | p2 |
| ENGINE_SPEED | p1 |



| | | | |
|--------------|------|-----------------|----------|
| CONTRACT NO. | | 928 LH | |
| APPROVALS | DATE | INPUT CONNECTOR | |
| DRAWN | | SIZE | FSCM NO. |
| CHECKED | | DWG. NO. | REV |
| ISSUED | | SCALE | SHEET |